



GX Plus Forklifts

Pneumatic Diesel 2.0 to 3.0 ton Series

D20G/D25G/D30G Plus • Euro Stage IIIA

G20G/G25G/G30G Plus



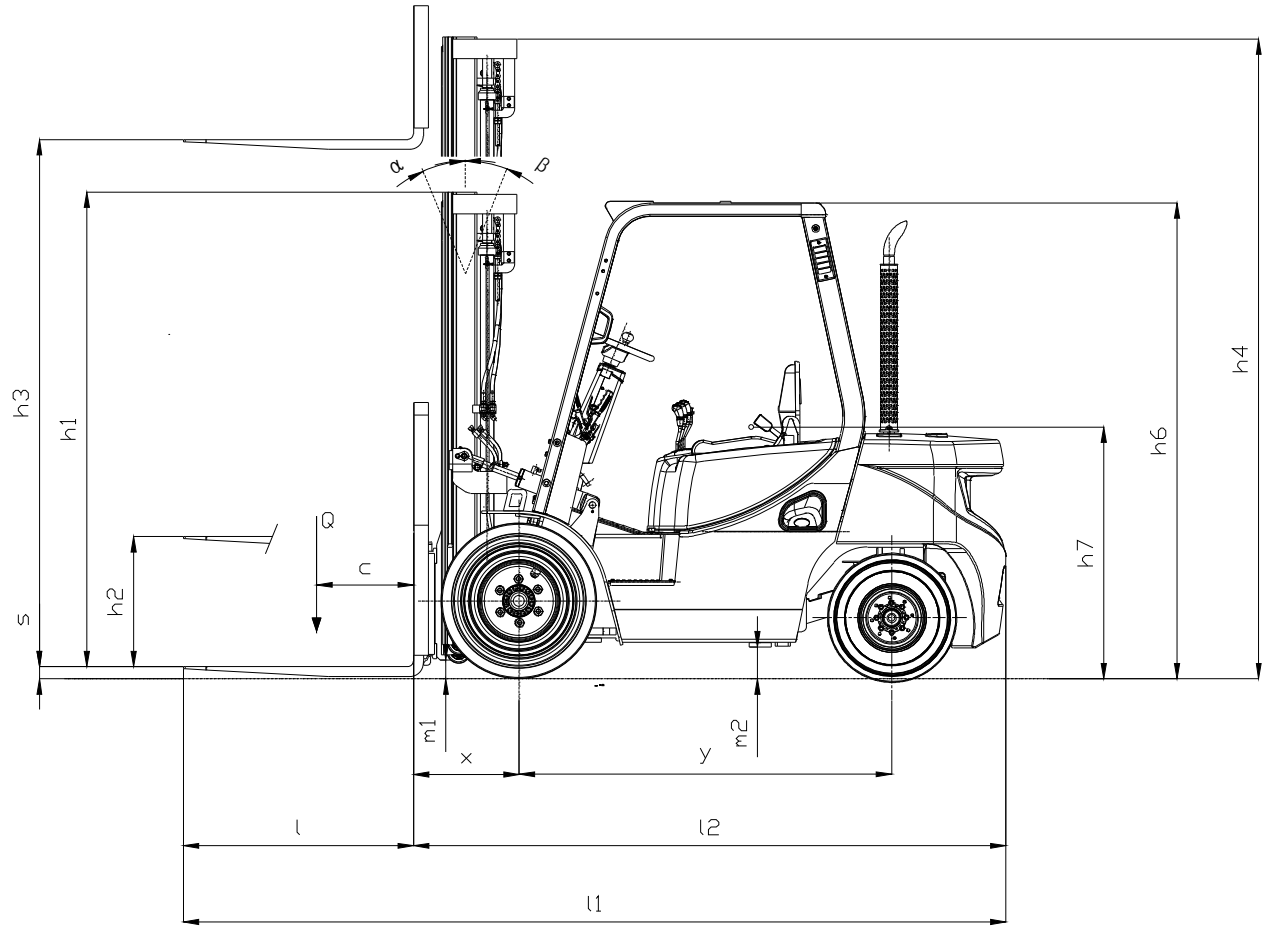
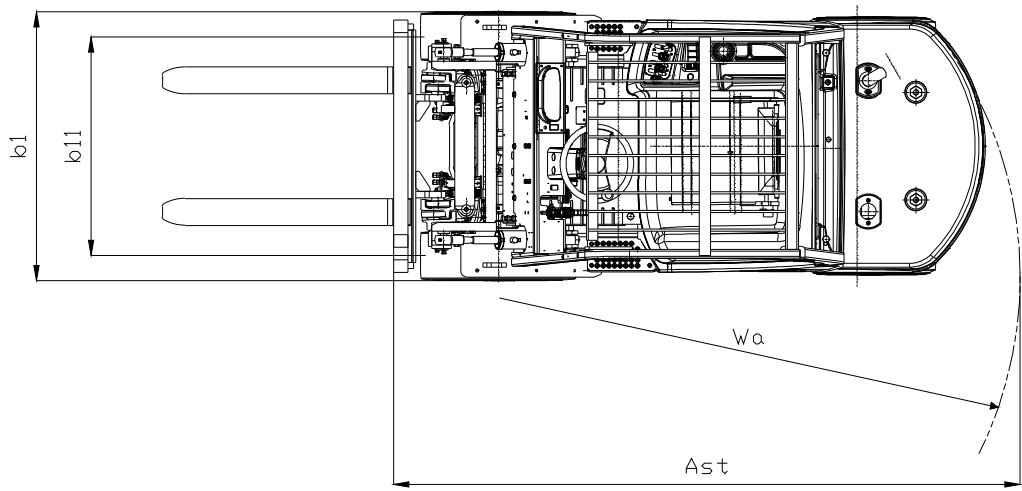
Building your tomorrow today

Technical Data according to VDI 2198

				Doosan	Doosan	Doosan	
Characteristics	1.1	Manufacturer			Doosan	Doosan	Doosan
	1.2	Model			D20G PLUS	D25G PLUS	D30G PLUS
	1.3	Drive			diesel	diesel	diesel
	1.4	Operator type			seated	seated	seated
	1.5	Load Capacity	Q	kg	2,000	2,500	3,000
	1.6	Load Center	c	mm	500	500	500
	1.8	Load Distance: Center of Driveaxle to fork	x	mm	467	467	482
	1.9	Wheelbase	y	mm	1,650	1,650	1,700
Weight	2.1	Service weight		kg	3,570	3,890	4,330
	2.2	Axle Loading, loaded front/rear		kg	4,900/670	5,610/780	6,465/865
	2.3	Axle Loading, unloaded front/rear		kg	1,690/1,880	1,610/2,280	1,730/2,600
Tyres	3.1	Tyres: pneumatic (P), superelastic (SE), cushion (C)			P	P	P
	3.2	Tyre size, front			7.00x12-12PR	7.00x12-12PR	28x9x15-14PR
	3.3	Tyre size, rear			6.00x9-10PR	6.00x9-10PR	6.50x10-10PR
	3.5	Wheels, number front/rear (x = driven wheels)			x2/2	x2/2	x2/2
	3.6	Tread, front	b11	mm	970	970	1,000
	3.7	Tread, rear	b12	mm	980	980	980
	Dimensions	4.1	Tilt of Mast/Fork carriage forward/backward	α/β	°	6/12	6/12
4.2		Height, Mast lowered	h1	mm	2,038	2,038	2,053
4.3		Free Lift	h2	mm	150	150	150
4.4		Lift	h3	mm	3,000	3,000	3,000
4.5		Height, Mast extended	h4	mm	4,247	4,247	4,247
4.7		Height of Overhead Guard (Cabin)	h6	mm	2,143	2,143	2,160
4.8		Height of Seat	h7	mm	1,168	1,168	1,185
4.19		Overall Length	l1	mm	3,570	3,635	3,737
4.20		Length to Forkface	l2	mm	2,520	2,585	2,687
4.21		Overall Width	b1/b2	mm	1,165	1,165	1,228
4.22		Fork Dimensions	s/e/l	mm	45X100X1,050	45X100X1,050	45X122X1,050
4.23		Fork carriage ISO 2328, class			II	II	III
4.24		Fork carriage width	b3	mm	1,000	1,000	1,042
4.31		Ground Clearance, loaded, below mast	m1	mm	100	100	118
4.32		Ground Clearance, center of wheelbase	m2	mm	113	113	132
4.34.1		Aisle width for pallets 1,000 x 1,200 crossways	Ast	mm	3,917	3,967	4,112
4.34.2		Aisle width for pallets 800 x 1,200 lengthways	Ast	mm	4,117	4,167	4,312
4.35		External Turning Radius	Wa	mm	2,250	2,300	2,430
4.36		Internal Turning Radius	b13	mm	710	710	735
Performance data		5.1	Travel Speed, loaded/unloaded		km/h	18/19	18/19
	5.2	Lift Speed, loaded/unloaded		mm/s	510/560	500/560	490/560
	5.3	Lowering Speed, loaded/unloaded		mm/s	420/550	420/550	420/550
	5.5	Drawbar pull, loaded/unloaded (@ 1.6km/h)		N	14,610/13,780	14,220/13,680	13,240/13,000
	5.6	Max. Drawbar pull, loaded/unloaded		N	17,500/16,580	17,260/16,380	16,180/15,500
	5.7	Gradeability, loaded/unloaded (@ 1.6km/h)		%	25.3/42.7	23/38.5	18.5/32
	5.8	Max. Gradeability, loaded/unloaded		%	33.4/53.3	28.5/47.5	22.5/39
	5.10	Service Brake				Hydraulic	Hydraulic
Combustion Engine	7.1	Engine Manufacturer/type			YANMAR/4TNE94L	YANMAR/4TNE94L	YANMAR/4TNE94L
	7.2	Engine power according to DIN ISO1585		kW	34.2	34.2	34.2
	7.3	Rated Speed		min-1	2,200	2,200	2,200
	7.3.1	Torque at 1/min		N•m	162 @ 1,500	162 @ 1,500	162 @ 1,500
	7.4	Number of Cylinders/Displacement		-/cm ³	4/3,053	4/3,053	4/3,053
	7.10	Battery Voltage/normal capacity		V/Ah	12/90	12/90	12/90
Add. Data	10.1	Operating pressure for attachments		bar	160	160	160
	10.2	Oil volume for attachments		l/min	65	65	65
	10.4	Fuel Tank Capacity		l	50	50	50

Doosan	Doosan	Doosan
G20G PLUS	G25G PLUS	G30G PLUS
LPG	LPG	LPG
seated	seated	seated
2,000	2,500	3,000
500	500	500
467	467	482
1,650	1,650	1,700
3,480	3,830	4,450
4,660/820	5,400/930	6,550/900
1,360/2,120	1,630/2,200	1,775/2,675
P	P	P
7.00x12-12PR	7.00x12-12PR	28x9x15-14PR
6.00x9-10PR	6.00x9-10PR	6.50x10-10PR
x2/2	x2/2	x2/2
970	970	1,000
980	980	980
6/12	6/12	6/12
2,038	2,038	2,053
150	150	150
3,000	3,000	3,000
4,247	4,247	4,247
2,143	2,143	2,160
1,168	1,168	1,185
3,570	3,635	3,737
2,520	2,585	2,687
1,165	1,165	1,228
45X100X1,050	45X100X1,050	45X122X1,050
II	II	III
1,000	1,000	1,042
100	100	118
113	113	132
3,917	3,967	4,112
4,117	4,167	4,312
2,250	2,300	2,430
710	710	735
18/19	18/19	19/20
490/520	490/520	490/520
420/550	420/550	420/550
17,110/16,570	17,010/16,480	15,840/15,690
22,020/20,840	21,820/20,740	20,250/19,660
30/54	28/48	22/38
44/74	37/65	29/55
Hydraulic	Hydraulic	Hydraulic
MITSU/G424P(E)	MITSU/G424P(E)	MITSU/G424P(E)
48.9	48.9	48.9
2,600	2,600	2,600
183.2 @ 2,000	183.2 @ 2,000	183.2 @ 2,000
4/2,351	4/2,351	4/2,351
12/65	12/65	12/65
160	160	160
65	65	65
50	50	50

Manufacturer	1.1	Characteristics
Model	1.2	
Drive	1.3	
Operator type	1.4	
Load Capacity	1.5	
Load Center	1.6	
Load Distance: Center of Driveaxle to fork	1.8	
Wheelbase	1.9	Weight
Service weight	2.1	
Axle Loading, loaded front/rear	2.2	
Axle Loading, unloaded front/rear	2.3	Tyres
Tyres: pneumatic (P), superelastic (SE), cushion (C)	3.1	
Tyre size, front	3.2	
Tyre size, rear	3.3	
Wheels, number front/rear (x = driven wheels)	3.5	
Tread, front	3.6	
Tread, rear	3.7	
Tilt of Mast/Fork carriage forward/backward	4.1	Dimensions
Height, Mast lowered	4.2	
Free Lift	4.3	
Lift	4.4	
Height, Mast extended	4.5	
Height of Overhead Guard (Cabin)	4.7	
Height of Seat	4.8	
Overall Length	4.19	
Length to Forkface	4.20	
Overall Width	4.21	
Fork Dimensions	4.22	
Fork carriage ISO 2328, class/type A,B	4.23	
Fork carriage width	4.24	
Ground Clearance, loaded, below mast	4.31	
Ground Clearance, center of wheelbase	4.32	
Aisle width for pallets 1,000 x 1,200 crossways	4.34.1	
Aisle width for pallets 800 x 1,200 lengthways	4.34.2	
External Turning Radius	4.35	Performance data
Internal Turning Radius	4.36	
Travel Speed, loaded/unloaded	5.1	
Lift Speed, loaded/unloaded	5.2	
Lowering Speed, loaded/unloaded	5.3	
Drawbar pull, loaded/unloaded (@ 1.6km/h)	5.5	
Max. Drawbar pull, loaded/unloaded	5.6	
Gradeability, loaded/unloaded (@ 1.6km/h)	5.7	
Max. Gradeability, loaded/unloaded	5.8	
Service Brake	5.10	Combustion Engine
Engine Manufacturer/type	7.1	
Engine power according to DIN ISO1585	7.2	
Rated Speed	7.3	
Torque at 1/min	7.3.1	
Number of Cylinders/Displacement	7.4	
Battery Voltage/normal capacity	7.10	Add. Data
Operating pressure for attachments	10.1	
Oil volume for attachments	10.2	
Fuel Tank Capacity	10.4	



MAST SPECIFICATIONS and RATED CAPACITIES

D20G PLUS, G20G PLUS

Mast type	Maximum Fork Height	Maximum Lowered Height	Fully Extended Height	Free Lift	Rated Load Capacities					
					D20G PLUS, G20G PLUS					
					Tilt Angle				Load Capacities	
					Single Pneu.		Double Pneu		Single Pneu.	Double Pneu
				FWD	BWD	FWD	BWD	LC 500mm	LC 500mm	
	mm	mm	mm	mm	deg	deg	deg	deg	kg	kg
STD	3,000	2,030	4,247	150	6	12	6	12	2,000	2,000
	3,300	2,180	4,547	150	6	10	6	10	2,000	2,000
	3,500	2,280	4,747	150	6	10	6	10	2,000	2,000
	4,000	2,580	5,347	150	6	6	6	6	2,000	2,000
	4,500	2,830	5,847	150	6	6	6	6	2,000	2,000
	5,000	3,080	6,347	150	6	6	6	6	1,625	1,975
FF	3,210	2,140	4,474	935	6	10	6	10	2,000	2,000
FFT	4,270	1,990	5,554	785	6	6	6	6	1,950	1,950
	4,710	2,130	5,974	925	6	6	6	6	1,875	1,875
	5,540	2,480	6,799	1,275	6	6	6	6	1,150	1,750
	5,990	2,630	7,249	1,425	6	6	6	6	850	1,675

D25G PLUS, G25G PLUS

Mast type	Maximum Fork Height	Maximum Lowered Height	Fully Extended Height	Free Lift	Rated Load Capacities					
					D25G PLUS, G25G PLUS					
					Tilt Angle				Load Capacities	
					Single Pneu.		Double Pneu		Single Pneu.	Double Pneu
				FWD	BWD	FWD	BWD	LC 500mm	LC 500mm	
	mm	mm	mm	mm	deg	deg	deg	deg	kg	kg
STD	3,000	2,030	4,247	150	6	12	6	12	2,500	2,500
	3,300	2,180	4,547	150	6	10	6	10	2,500	2,500
	3,500	2,280	4,747	150	6	10	6	10	2,500	2,500
	4,000	2,580	5,347	150	6	6	6	6	2,500	2,500
	4,500	2,830	5,847	150	6	6	6	6	2,100	2,500
	5,000	3,080	6,347	150	6	6	6	6	1,525	2,475
FF	3,210	2,140	4,474	935	6	10	6	10	2,500	2,500
FFT	4,270	1,990	5,554	785	6	6	6	6	2,375	2,450
	4,710	2,130	5,974	925	6	6	6	6	1,800	2,375
	5,540	2,480	6,799	1,275	6	6	6	6	1,225	2,200
	5,990	2,630	7,249	1,425	6	6	6	6	900	2,125

D30G PLUS, G30G PLUS

Mast type	Maximum Fork Height	Maximum Lowered Height	Fully Extended Height	Free Lift	Rated Load Capacities					
					D30G PLUS, G30G PLUS					
					Tilt Angle				Load Capacities	
					Single Pneu.		Double Pneu		Single Pneu.	Double Pneu
				FWD	BWD	FWD	BWD	LC 500mm	LC 500mm	
	mm	mm	mm	mm	deg	deg	deg	deg	kg	kg
STD	3,000	2,045	4,247	150	6	12	6	12	3,000	3,000
	3,300	2,195	4,547	150	6	10	6	10	3,000	3,000
	3,500	2,295	4,747	150	6	10	6	10	3,000	3,000
	4,000	2,595	5,347	150	6	6	6	10	3,000	3,000
	4,500	2,845	5,847	150	6	4	6	10	2,825	3,000
	5,000	3,095	6,347	150	6	4	6	6	2,025	2,875
FF	3,210	2,155	4,474	950	6	10	6	10	3,000	3,000
FFT	4,270	2,005	5,554	800	6	6	6	6	2,900	2,875
	4,710	2,145	5,974	940	6	4	6	4	2,550	2,800
	5,540	2,495	6,799	1,290	6	4	6	4	1,475	2,600
	5,990	2,645	7,249	1,440	6	4	6	4	1,075	2,525

Mast Specifications & Rated Capacities are based on standard chassis with pneumatic tire and without side shifter.



EUDG25G-Plus-170612v1EN (June 2017)



Doosan Industrial Vehicle Europe nv
Europark-Noord 36A
9100 Sint-Niklaas, Belgium

Tel: +32 3 760 09 87
Fax: +32 3 760 09 89
Website: www.doosan-iv.eu

AUTHORIZED DEALER